

Glo Electric Fireplace Model GH-EF-01F

Installation and Operating Instructions

Thank you and congratulations on your purchase of a Glo Electric Fireplace. Please read this manual before installing and using this appliance. Failure to follow these instructions may result in a possible electric shock, fire hazard and will void warranty.

Consumer Safety Information

For our safety – repairs and service must be performed by a qualified tradesperson

Do not store or use gasoline or other flammable vapours or liquids in the vicinity of this or any other appliance

Do not discard this manual

This appliance is not intended for use by young children or infirm persons unless they have been adequately supervised by a responsible person to ensure that they can use the appliance.

Young children should be supervised to ensure that they do not play with the appliance.

Warning - if the information in this manual is not followed exactly, an electrical shock or fire may result causing property damage, personnel injury or loss of life

For correct and safe use carefully read the instructions and warnings in this manual and keep them for further reference for the whole of the products life. They supply important instructions regarding operations and safety for installing, using and maintaining the product.

General Warnings

1. Read all instructions before using this appliance.
2. This appliance is hot when in use. To avoid burns do not let bare skin touch hot surfaces.
3. Keep combustible materials such as furniture, pillows, bedding, papers, clothing and curtains at least 1 metre from the front of this appliance.
4. If possible, always unplug this appliance when not in use.
5. Under no circumstances should this appliance be modified.
6. Do not use this appliance outdoors.
7. After unpacking, make sure that the appliance is intact with no signs of damage caused by transport. If in doubt, do not use the appliance and contact your retailer or an authorised service centre.
8. Before connecting the appliance, make sure that its rating corresponds to the power supply in your home. The rating plate is affixed to the back of the appliance.
9. Do not place the electric fireplace directly under a fixed socket outlet.
10. Do not cover the air inlet or outlet of the electric fireplace as this could cause overheating, fire or damage to the appliance.
11. Do not place the electric fireplace directly on carpets. This is to avoid possible discolouring caused by the heat.
12. Do not run cord under carpeting. Do not cover cord with throw way rugs, runners or the like. Arrange cord away from traffic areas and where it will not be tripped over.
13. Do not use this electric fireplace in or near swimming pools, spas, bath or shower.
14. Do not use this appliance with a programmable timer or any other device that switches the appliance automatically.
15. Should you decide not to use this appliance anymore we suggest making it inoperative by cutting the power cord after removing the plug from the socket.
16. Before carrying out any cleaning or maintenance, disconnect the appliance from the mains by removing the plug.
17. This appliance has hot and arcing or sparking parts inside. Do not use it in areas where gasoline, paint or flammable liquids are used or stored. This appliance should not be used as a drying rack for clothing, nor should Christmas stockings or decorations be hung on or near it.
18. The heater must be cooled down completely before storing.
19. If the power cord is damaged it must be repaired by the manufacturer or a professional tradesperson or authorised service centre.
20. Ensure that electrical outlet wiring must comply with local building codes and other applicable regulations to reduce the risk of fire, electrical shock and injury to persons.
21. Do not use this appliance if any part of it has been under water. Immediately call a qualified tradesperson to inspect the fireplace and replace any part of the electrical system, which has been under water.
22. Avoid the use of an extension cord because the extension cord may overheat and cause a risk of fire.

General Instructions

Locating and Installing Your Fireplace

Your new electric fireplace may be installed in a pre-fabricated mantel available from your dealer. Mantels allow for fast, convenient installation against existing walls.

When choosing a location for your new fireplace ensure the general instructions are followed. Also, for best effect install the fireplace out of direct sunlight.

For instructions on handling and assembly of your mantel, refer to separate installation instructions that come with the mantel.

Installation Warning (Fig. A)

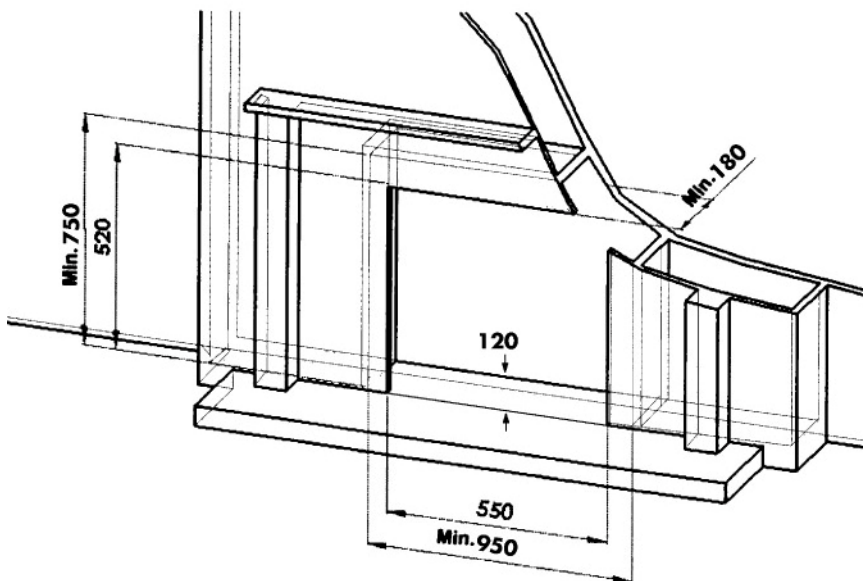


Fig. A

To reduce the risk of fire, do not place or install this unit in areas where the ventilation or circulation ducts may become blocked. Make sure there is sufficient space between your fireplace insert and the wall or the side of mantel (Refer Fig. A)

Description of Appliance (Fig.Z)

- a. Metal Box (housing)
- b. Front Panel
- c. Glass
- d. Power Cord
- e. Simulated Logs
- f. Bars
- g. Main Switch
- h. Operate Button
- i. Air Outlet

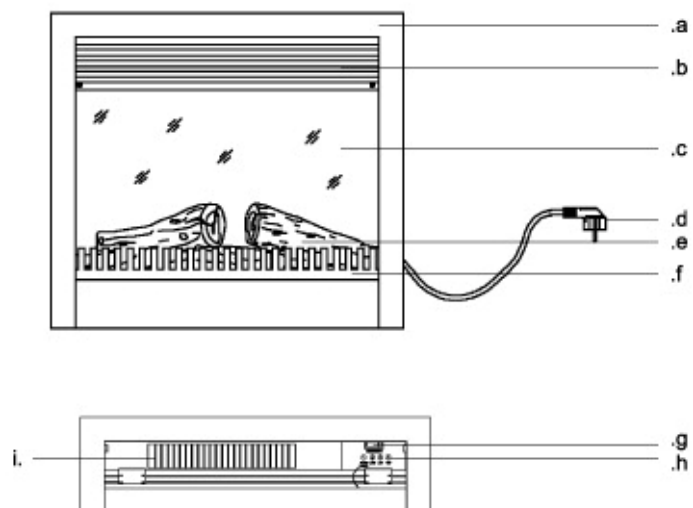


Fig. Z

Technical Data

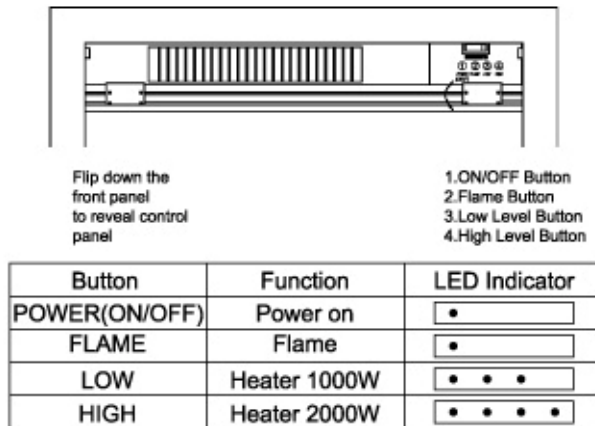
❖ Model	:	GH-EF-01F
❖ Voltage	:	220~240V
❖ Frequency	:	50Hz
❖ Power	:	2000W
❖ Lamp	:	2 x Max. 40W

Dimensions

		Overall	Insert
Width	:	580mm	500mm
Height	:	523mm	520mm
Depth	:	200mm	182mm

Operation from Control Panel

Once the unit has been properly connected to a grounded electrical outlet. Turn on the main switch located at left hand side and behind front panel. When it beeps, it is ready to operate.



Operation by Remote Control

The operation is the same as described above (See Fig. B)

Note:

- ❖ The effective range of the remote control is 6 meters.
- ❖ Remote control battery replacement: replace with 2 x AAA
- ❖ Batteries Do not mix old and new batteries
- ❖ Do not mix alkaline, standard (carbon-zinc) or rechargeable
- ❖ (nickel-cadmium) batteries
- ❖ Make sure the batteries are installed properly in the remote control

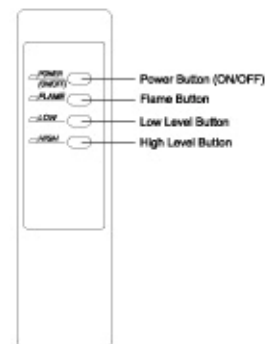


Fig. B

Automatic Cut Off

In case of overheating, the appliance will automatically switch off. If this occurs, the electric fireplace must be turned off at the main switch or disconnected from the socket outlet. The electric fireplace has to cool down for approximately 20 minutes before using again. Be sure that the air inlets and outlets are kept clean of dust, fluff etc.

Glass Information

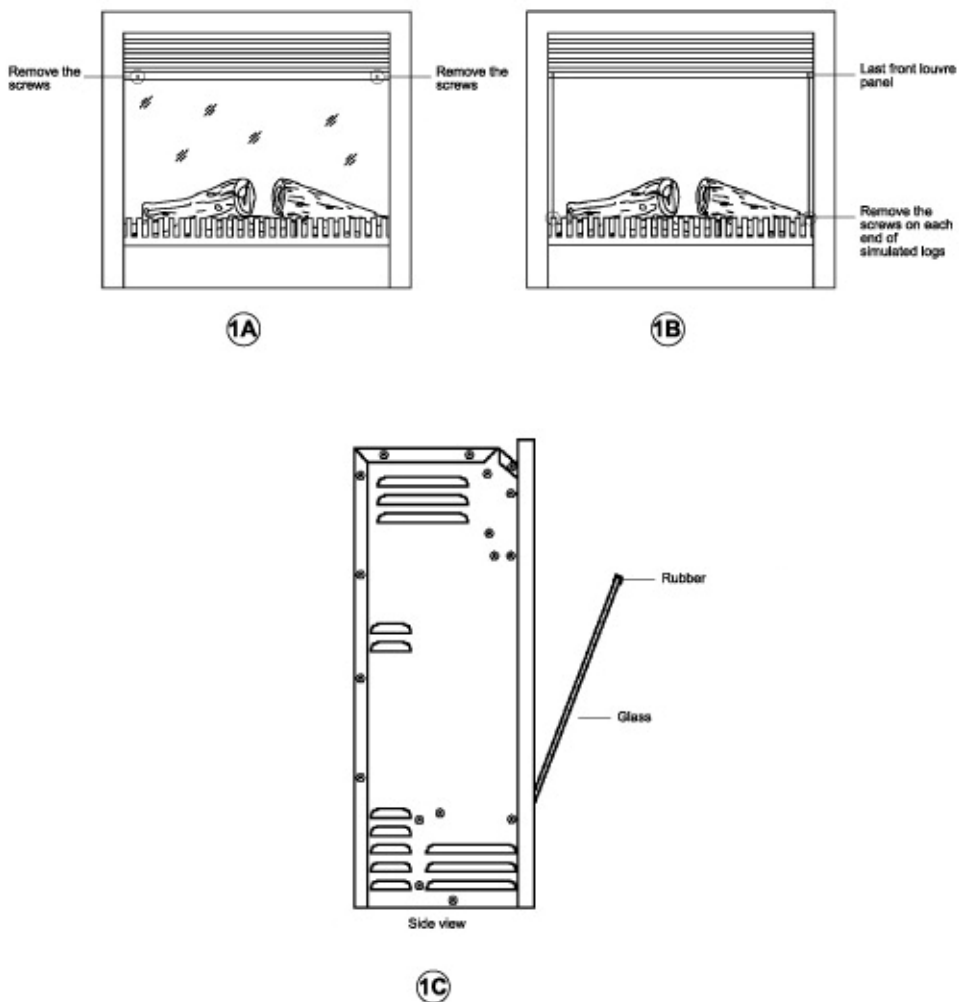
Under no circumstances should this product be operated with broken glass.

Do not strike or slam the glass.

Do not use abrasive cleaners to clean the glass.

The product uses tempered glass. Replacement of the glass supplied by the manufacturer should be done by a qualified service technician.

Replacing The Log Set Ember Bed Light Bulbs



Warning: The unit must be unplugged from the power supply prior to any maintenance or cleaning in order to reduce risk of electric shock or fire.

Caution: Sharp edges

This electric fireplace is supplied with the following light bulbs: 2 x 40W E14 light bulbs, Candelabra base, rated to 230V, 40W maximum.

Replace these bulbs only with identical size and wattage.

- a. Unplug unit from the power supply.
- b. Remove the 2 screws on each side of the front panel louvres (See Fig. 1A)
Caution: Glass panel is fragile and may chip, crack or break if not handled with care.
- c. Remove the front panel louvre (See Fig 1 B)
- d. Gently remove glass with rubber piece at the top and bottom of glass. Very carefully place glass aside
- e. Remove the screws on each end of simulated logs (See Fig 1B)
- f. From the bottom, lift up the log set ember bed and remove it from the unit (do not pull up on the logs). Place it a side.
- g. Unscrew and remove the light bulbs and place aside.
- h. Replace with new light bulbs.
- i. Carefully insert the log set ember bed back into your unit. Do not grab the logs by the top. Hold logs from the bottom at each end.
- j. Replace the two screws on each end of simulated logs.
- k. Gently place the glass (See Fig 1C)
- l. Replace the front panel louvre
- m. Replace the two screws on each side of the front panel louvre.

Cleaning the Appliance

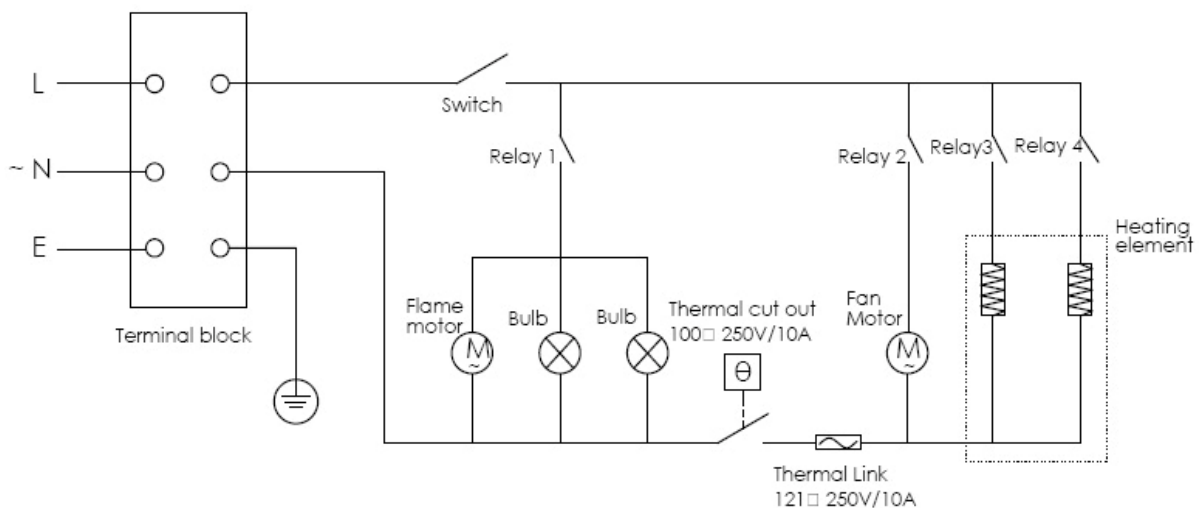
Warning: Before cleaning the exterior of the appliance, disconnect the unit from the power supply and leave until to be cooled off.

You can clean the exterior of heater with a soft, damp, lint-free cloth. Do not use cleaning or polishing products.

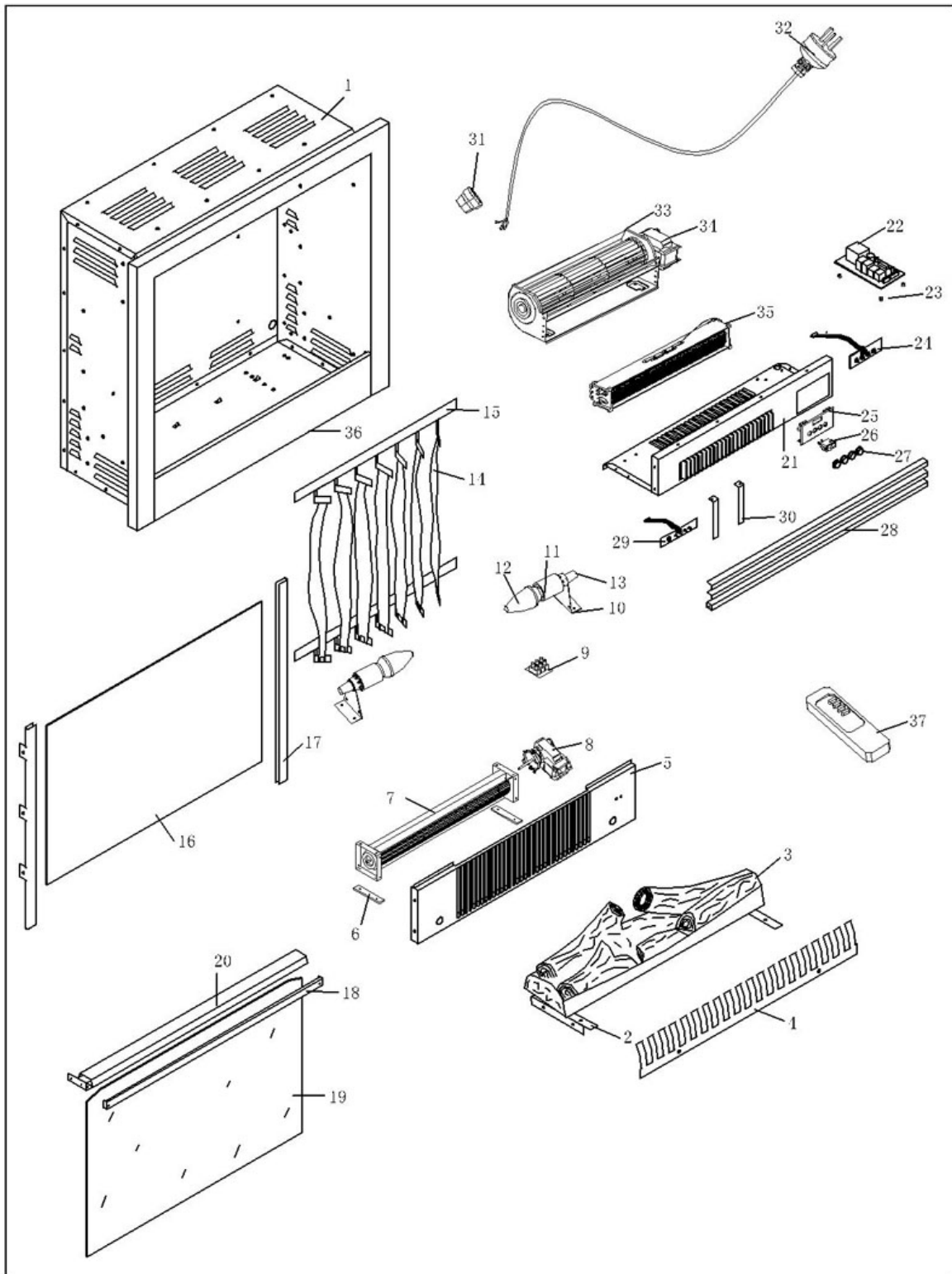
Overtime, the front glass panel may become dirty or dusty. Dust can be removed by lightly rubbing the glass surface with a clean, lint-free cloth or paper towel. To remove fingerprints or other marks, use a soft, damp, lint-free cloth with a good quality household glass cleaner. The front glass panel should always be completely dried with a clean, lint-free cloth or paper towel.

Electrical Wiring Diagram

Any electrical repairs or rewiring of this unit should be carried out by a licensed electrician in accordance with national and local codes.



Spare Parts Illustration and List



1.Inner box	2.Fuel bed fastener	3.Fuel bed	4.Fuel bed bar
5.Motor protect panel	6.Rubber	7.Wind channel	8.Fan motor
9.Terminal block	10.Lamp holder bracket	11.Lamp holder	12.Bulb
13.Lamp holder wire clasp	14. Ribbon	15.Ribbon bracket	16.Screen
17.Screen bracket	18.Glass fastener panel	19.Glass	20.Glass bracket
21.Heating system box	22.PCB board	23.Insulation ring	24.Switch control board
25.Switch cover board	26.Main switch	27.Switch knob	28.Wind outlet fense
29.Indicator light board	30.Indicator light board bracket	31.Strain relief bushing	32.Power plug

Warranty

Your new electric fireplace is free from manufacturing and material defects for a period of 1 year from date of purchase, subject to the following conditions and limitations:

- ❖ This electric fireplace must be installed and operated at all times in accordance with the installation and operating instructions furnished with the product. Any alteration wilful abuse, accident or misuse of the product shall nullify this warranty.
- ❖ This warranty is limited to the repair or replacement of part(s) found to be defective in material or workmanship, provided that such part(s) have been subject to normal conditions of use and service, after said defect is confirmed by the company's inspection.
- ❖ This warranty does not cover light bulbs included with fireplace.
- ❖ Any installation, labour, construction, transportation or other related costs/expenses arising from defective part(s) repair, replacement or otherwise of same, will not be covered by this warranty nor shall the company assume responsibility for same. Further, the company will not be responsible for any incidental, indirect or consequential damages.
- ❖ All other warranties – expressed or implied – with respect to the product, its components and accessories or any obligations/liabilities on the part of the company are hereby expressly excluded.
- ❖ The company neither assumes nor authorises any third party to assume on its behalf any other liabilities with respect to the sale of this product.
- ❖ Warranty is void:
 - If the fireplace has been operated in atmospheres contaminated with chlorine, fluorine or other damaging chemicals
 - The fireplace is subject to prolonged periods of dampness or condensation
 - Any alteration, wilful abuse or misuse of the product.
 - If you attempt to do any repair or service work yourself.
- ❖ If a warranty, service is needed please contact your supplier or an authorised service agent or licensed electrician.

Note: We reserve the right to make changes in design, materials, specifications, prices and discontinue product at any time without notice.