

# Timber Mantel MT01-MAH, MT01-TCH & MT01-WH for Glo Electric Fireplace Model GH-EF-01

## Installation and Operating Instructions

Thank you and congratulations on your purchase of a Timber Mantel for Glo Electric Fireplace. Please read this manual before installing and using this appliance. Failure to follow these instructions may result in a possible electric shock, fire hazard and will void warranty.

### Consumer Safety Information

For our safety – repairs and service must be performed by a qualified tradesperson

Do not store or use gasoline or other flammable vapours or liquids in the vicinity of this or any other appliance

Do not discard this manual

This appliance is not intended for use by young children or infirm persons unless they have been adequately supervised by a responsible person to ensure that they can use the appliance.

Young children should be supervised to ensure that they do not play with the appliance.

Warning - if the information in this manual is not followed exactly, an electrical shock or fire may result causing property damage, personnel injury or loss of life

For correct and safe use carefully read the instructions and warnings in this manual and keep them for further reference for the whole of the products life. They supply important instructions regarding operations and safety for installing, using and maintaining the product.

## General Instructions

### Unpacking & installing the electric fireplace mantel

- Open the package carefully and remove all pieces.
- Be responsible when handling and discarding all packing materials.

The Fireplace Mantel is composed of a total of seven (7) pieces: a base, left & right side sections, a top & bottom trim, a back trim and the mantel top.

Carefully inspect each part for any damage before you begin assembly.

### Tools required

Magnetic screw driver (see fig 1)



Fig 1

### Parts breakdown (see fig 2 & 3)

1. Base
2. Left side section
3. Right side section
4. Back bottom trim
5. Top front trim
6. Bottom front trim
7. Mantel top
8. 8 pcs dowel screw and connector fitting
9. 16 pcs M6x25 screw

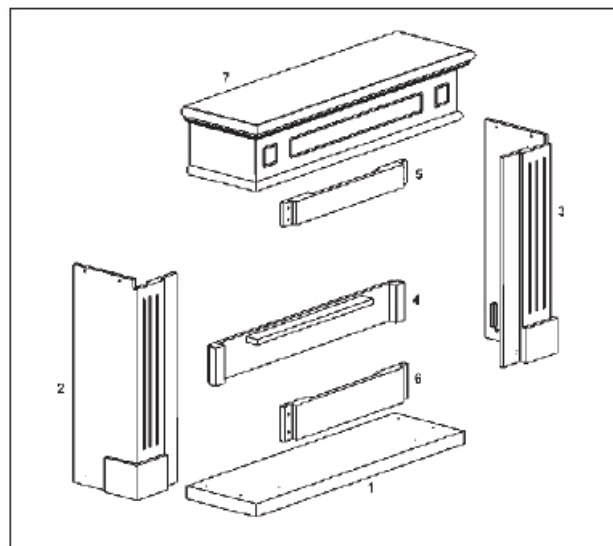


Fig 2

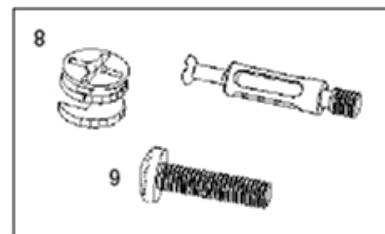
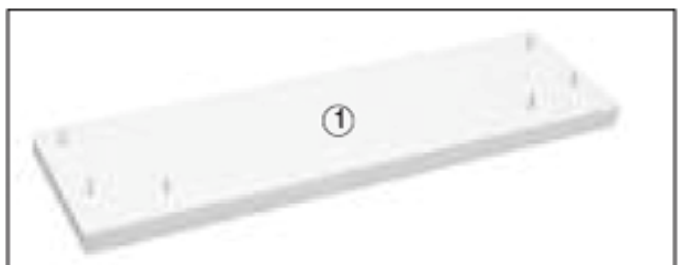


Fig 3

Assembly instructions (see pic 4-10)

### Step 1



Position the base (1) in desired location. Make sure the two front screw holes are facing you (see pic 4). Insert dowel screw with connector fitting (8 pieces) with screwdriver.

Fig 4

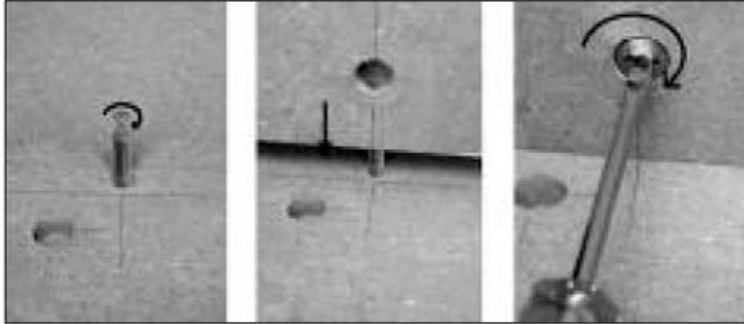


Fig 5

### Step 2

- A. Carefully place left side section (2) on the base, making sure the screws from the base (1) are directly inserted into the holes at the bottom of the left side section (2) (see Fig 6).
- B. Place connector fitting in each hole and use a screwdriver to turn clockwise until left side section (2) is secured to the base (1). There are a total of three dowel screws and connector fittings for each side section.
- C. Repeat steps A and B for the right side section (3).



### Step 3

- A. Carefully place bottom front trim (4) between the left side section (2) and the right side section (3) (see Fig 7).
- B. Place M6x25 screw in each hole and use a screwdriver to turn clockwise until bottom front trim (4) is secured to the left side section (2) and the right side section (3). There are a total of two M6x25 screws for each side of the bottom front trim (4).

Fig 6

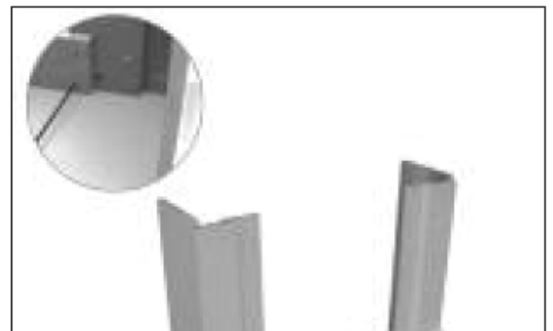


Fig 7  
Step 4



- A. Carefully align the top front trim (5) with the top of the left side section (2) and the right side section (3) (see Fig 8). The tops of the top front trim (5), the left side section (2) and the right side section (3) should all be flush with each other (see Fig 8).
- B. Place M6x25 screw through top front trim (5), and use a screwdriver to turn clockwise until left side of top front trim is secured to the left side section (2). There are a total of two M6x25 screws for each side of the top front trim (5).
- C. Repeat step B to secure the right side of the top front trim (5) to the right side section (3).

Fig 8

### Step 5

Carefully insert the back bottom trim (6) between the left side section (2) and the right side section (3) as shown in Fig 9



Fig 9

### Step 6

- A. Carefully place mantel top (7) onto the assembled mantel (see Fig 10). Make sure to align the side of the left side section (2) with the left side of the mantel top (7) and the side of the right side section (3) with the right side of the mantel top (7) (see Fig 10).
- B. Place M6x25 screws through the left side section (2) and use a screwdriver to turn clockwise until the mantel top (7) is secured to the left side section (2). There are a total of two M6x25 screws for the left side section (2), and a total of 2 M6x25 screws for the right side section.



- C. Repeat step B to secure the right side of the Mantel top (7) to the right side section (3).

### Fig 10

#### The Assembled Fireplace Mantle



**Fig 11**

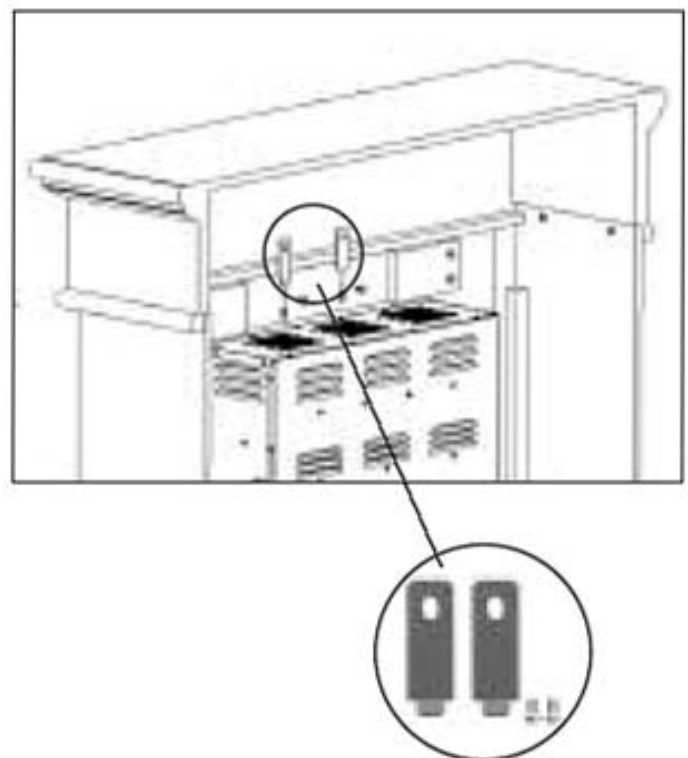


**Fig 12**

### Fireplace Insert Installation Into The Mantle Piece

Once the Mantel has been prepared, the fireplace insert can be installed (see Fig 13).

1. Make sure the unit is turned off (refer to the operating instructions).
2. Place the fireplace insert on the floor, directly in front of your mantel. Make sure both the mantel and fireplace insert are facing you.
3. Place plug through mantel, making sure it will not get stuck underneath the fireplace insert.
4. You will need 2 people to place the fireplace insert into the mantel, as it is heavy. Gently lift insert and place into mantel. Push the fireplace insert so that the trim is against the mantel.
5. Secure the fireplace insert to the mantel by inserting the M6x10 screws through the bolts (supplied in the insert packaging) and the hole and tightening.
6. Plug in your unit into a properly connected grounded electrical outlet.



**Fig 13**

*Note: We reserve the right to make changes in design, materials, specifications, prices and discontinue product at any time without notice.*